



EMOTOR

Manufacturer Group

WELCOME BECOME OUR AUTHORIZED WHOLESALER IN THE WORLDWIDE

Tel: +86 21 5860 9665
Fax: +86 21 5860 9826
E-mail: oklauto@sh163.net oklauto@21cn.com
Add: Rom 501, Jintao Building, 1900 Shangcheng Road, Shanghai, 200135, China
www.speedexhaust.com

SPEED ELECTRONIC MFG. CO., LTD SHANGHAI

2006

SPEEDMASTER HEADER INFO

Our Exhaust Header is engineered to give your car winning performance both on the track and offroad. Designed to be a direct replacement fit for restrictive factory Header, these systems are a great way to get that extra power you are looking for.



**WELCOME
CUSTOMER PRODUCT**

Product No.	Model	Product No.	Model
SEM-001	Header for Nissan 300ZX Non-Turbo 90-96	SEM-021	Acura 90-91 INTEGRA RS/LS/GS
SEM-002	Honda JDM for B-SERIES	SEM-022	Acura 94-01 INTEGRA RS/LS/GS
SEM-003	Honda Civic 88-00 D-SERIES	SEM-023	Chevy 98-01
SEM-004	Chevy Cavalier 95-Up Pontiac Sunfire 95-up	SEM-024	Chevy 02-
SEM-005	Chevy Cavalier 96-Up Pontiac Sunfire 96-Up	SEM-025	Chrysler 94-98 NEON DOHC
SEM-006	Honda Civic 88-00 TURBO MANIFOLD	SEM-026	Chrysler 00-04 PT CRUISER DOHC 2.4L
SEM-007	Nissan 350Z	SEM-027	Ford 00-04 ZX3 FOCUS ZETEC 2.0L
SEM-008	Impreza SUBARU IMPREZA 95-01 (4-1 TYPE)	SEM-028	Ford 93-97 PROBE GT
SEM-009	Mazda Miata 90-93 and 94-01	SEM-029	Honda 98-02 ACCORD
SEM-010	BMW M20	SEM-030	Honda 94-97 ACCORD
SEM-011	BMW M50	SEM-031	Honda 93-97 DEL SOL SI
SEM-012	BMW E30	SEM-032	Honda 88-91 CIVIC 88-91 CRX SI 92-95 CIVIC 96-00 CIVIC
SEM-013	BMW M3 E36 TURBO MANIFOLD	SEM-033	Honda 92-00 CIVIC
SEM-014	KIA 98-03 SOPHIA	SEM-034	Honda 99-00 CIVIC SI 4-1
SEM-015	HYUNDAI 97-01 Tiburon	SEM-035	Mazda 01-04 PROTEGE 2.0L
SEM-016	HYUNDAI 02-04 Tiburon GT	SEM-036	Mitsubishi 97-01 MIRAGE 1.8L
SEM-017	LEXUS 00-04 IS300	SEM-037	Toyota 93-97 COROLLA 1.8L
SEM-018	BMW 99-04 E-46 3'er 325/328	SEM-038	Toyota 02-04 ECHO
SEM-019	Acura 01-03 3.2CL/3.2TL	SEM-039	Scion 03-04 SCION xA/xB
SEM-020	Acura 97-00 2.3CL		

SPEEDMASTER CAT BACK EXHAUST INFO

We are proud to introduce complete catback systems for the most popular sport compact applications. Constructed entirely of fully polished 304 stainless steel, these complete systems allow for maximum flow through the fewest mandrel bends possible. These systems are finished off with a fully polished high flow muffler, with many applications featuring an adjustable tunable silencer for those enthusiasts who live in an area where noise bylaws are strictly enforced.



AC002

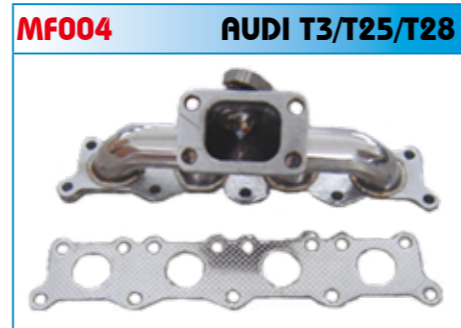
SPD6027

HOMOLOGATION

Product No.	Model	Product No.	Model
SPD-CET-001	NISSAN 240SX-95-UP	SPD6016	OPEL VECTRA BN
SPD-CET-002	SUBARU IMPREZA WRX GD8 02-UP & FOR EUROPE SUBARU	SPD6017	OPEL KADETT G81 MIDDLE MUFFLER
SPD-CET-003	CHEVEROLET CAVALIER 2.2 95-03	SPD6018	OPEL Kadett E/Astra F
SPD-CET-004	HONDA CIVIC 2/4 92-95	SPD6019	OPEL Corsa B
SPD-CET-005	HONDA CIVIC HATCH BACK 92-95	SPD6020	OPEL VECTRA BN MIDDLE MUFFLER
SPD-CET-006	HONDA CIVIC HATCH BACK 96-00	SPD6021	OPEL Vectra A/ B / G
SPD-CET-007	HONDA CIVIC COUPE 01-UP	SPD6022	OPEL VECTRA BN MIDDLE MUFFLER
SPD-CET-008	ACURA INTEGRA LS NON 94-01	SPD6023	OPEL CORSA 93
SPD-CET-009	ACURA INTEGRA GSR VTEC 94-01	SPD6026	BMW E30
SPD-CET-010	ACURA RSX TYPE-S 02-UP	SPD6027	GOLF III
SPD-CET-011	NISSAN 240SX 89-94	SPD6027 TWIN	GOLF III
SPD-CET-012	MAZDA	SPD6030	BENZ W140T
SPD-CET-013	MITSUBISHI ECLISPE 95-UP	SPD6031	LAND ROVER SERIES
SPD6008	BMW E36 4,Zyl ,318	SPD6032	AUDI A3/VW Golf IV/VW Beetle
SPD6009	AUDI A4 1.8 TURBO;A6;PASSAT;VW	SPD6033	Opel Calibra 2.0 85KW
SPD6010	AUDI A4;A6 MAD MIDDLE MUFFLER	SPD6034	VW Polo 86 C
SPD6011	BMW E36 6 Zyl;325i-328i	SPD6035	VW Golf II
SPD6012	BMW E46 318i		
SPD6013	BMW E46 328i		
SPD6014	AUDI 76012-2;76012-3		
SPD6015	OPEL CORSA G81 MIDDLE MUFFLER		

SPEEDMASTER TURBO MANIFOLD INFO

Full line of Aftermarket as well as Upgrade Heavy Gauge stainless steel equal length headers are available for most popular applications. Metal Gasket is also included. Please check with us for specific Applications for your upgrade.



SPEEDMASTER DOWNPIPE INFO

Our mandrel bent manifold downpipes complete your system rather than require you to fabricate custom pipes that wouldn't be mandrel bent.

AD011



AD012



AD013



HUYDAI DUMP PIPE

AD014



SR20DET DUMP PIPE

AD015



Honda Civic D SERRIES

AD016



Honda Civic B SERIES

AD001



AD002



AD007



AD009



AD005



AD003



AD004



AD008



SPEEDMASTER DOWNPIPE , UPGRADE YOUR TURBO

Model:SUBARU IMPREZA WRX
Weight:7.5kg
Size:760*330*170mm

Features:
DP-SBI-WRX DS/RACE (SUBARU IMPREZA WRX 02-UP STAINLESS CATLESS PIPE *** RACING SPEC *** WORKS WITH TURBOXS CATBACK EXHAUST ONLY 3")

Model:VW Golf/Jetta/Passat Beetle
Weight:5.2kg
Size:610*230*130mm

Features:
DP-VW Golf/Jetta/Passat/Beetle w/1.8L DP-VW Golf/Jetta/Passat/Beetle w/1.8L Turbo Audi A4/TT w/1.8L Turbo

Model:Nissan 240SX silvia S13/S14 89-98
Weight:7.5kg
Size:820*240*200mm

Features:
Silviads (nissan 240SX silvia S13/S14 89-98)

Model:NISSAN 240SX SILVIA S13/S14/S15
Weight:2.5kg
Size:0.0005CBM

Features:
NISSAN 240SX SILVIA S13/S14/S15 89-01 STAINLESS STEEL TURBO OUTLET *** FOR ALL SR20DET MOTORS

Model:Toyota Supra
Weight:9.5kg
Size:1070*330*280mm

Features:
Toyota Supra MA 70 86-92

Model:Mitsubishi Eclipse GST95-99
Weight:12kg
Size:1225*330*255mm

Features:
MB9501DS (Mitsubishi Eclipse GST95-99)

Model:Mazda RX-7
Weight:8kg
Size:1080*300*170mm

Features:
Mazda RX-7 FD3s 93-95

Model:SUBARU IMPREZA WRX
Weight:7.5kg
Size:760*330*170mm

Features:
DP-SBI-WRX USA with extension (SUBARU IMPREZA WRX 02-UP T-304 STAINLESS DOWN PIPE 4" ***



SPEEDMASTER MUFFLER INFO

Our universal mufflers are designed for low cost without regard for high performance, could be fitted on a majority of vehicles. Using modern technology, mandrel bending and practical experience ,we design each muffler for maximum exhaust flow and performance.



AM001



AM002



AM003



AM004



AM005



AM006



AM007



AM008



AM009



AM010



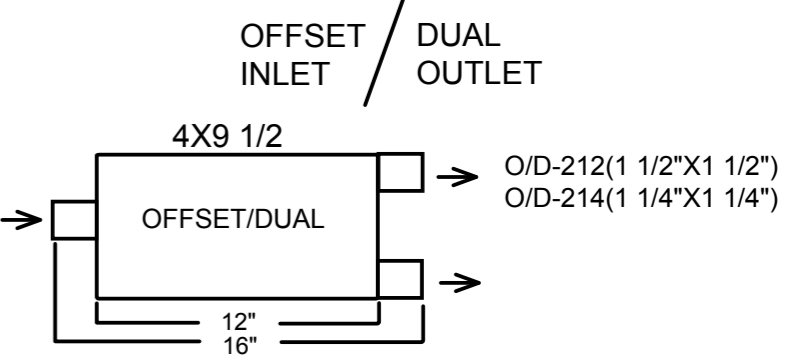
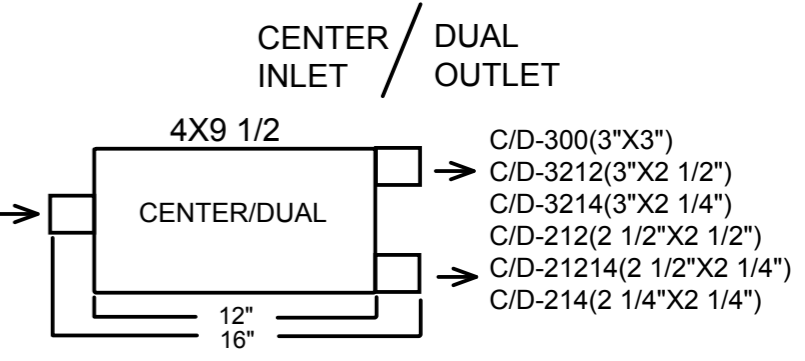
AM011



AM012

Product No.	Features
AM001	INLET DIR:2.5 inch
AM002	INLET DIR:2.5 inch
AM003	Full polished T-304 stainless steel structure Japan spec with round shape tip muffler body size 14.5L*6W*6H tip size 7L*3.5round inlet size 2.25 round tig welded high quality finish light weight design,weights 6lb direct clamp on with great deep sounds
AM004	Full polished T-304 stainless steel structure Japan spec with round shape tip muffler
AM005	Full Polished T-304 Stainless Steel Structure Power Coated Black Euro Spec with Oval Shape Tip Muffler Size 20L) X 8.5W)X6 H) Tip Size 5.5L) X 4 W)Inlet Size 2 Round Tig Welded High Quality Finish Light Weight Design,weights 5lb Direct Clamp on with Great Deep Sounds
AM006	INLET DIR:2.5 inch
AM007	Full polished T-304 stainless steel structure Eupo spec with oval shape tip muffler body size 10L*9W*5H Tip size 6.5L*5W*3.5H Inlet size 2 Round tig welded high quality finish light weight design,weights 5lb direct clamp on with great deep sounds
AM008	Full polished T-304 Stainless steel structure Japan DTM Spec with Dual angel tips muffler body size 14L*8.5W*5.5H Dual tips size 7.5L*3 round inlet size 2.25 round tig welded high quality finish light weight design,weights 8lb direct clamp on with great deep sounds
AM009	Full polished T-304 Stainless steel structure Japan DTM Spec WITH Dual angel tips muffler body size 14L*8.5W*5.5H DUAL tips size 7.5L*3round Inlet size 2.5 Round tig welded high quality finish light weight design,weights 8lb direct clamp on with great deep sounds
AM010	Full polished T-304 stainless steel structure Japan DTM spec with dual square tips muffler body size 14L*7.5W*5.5H Dual tips size 8.5L*3 squared Inlet size 2.5 round tig welded high quality finish light weight design,weights 8lb direct clamp on with great deep sounds
AM011	INLET DIR:2.5 inch
AM012	Carbon fiber structure JAPAN DTM spec with dual rounded tips muffler body size 14"L*7.5"W*5"H DUAL tips size 7"L*2.5" round Inlet size 2.5" Round tig welded high quality finish light weight design,weights 7lb direct clamp on with great deep sounds

ALUMINIZED MUFFLERS			
MODEL	INLET	OUTLET	BODY SIZE
59610	1.5"	1.5"	6" round,length:12"
59654	2.25"	2.25"	6" round,length:24"
59660	1.75"	1.75"	6" round,length:12"
59601	1.75	1.75"	6" round,length:16"
59653	2.00"	2.00"	6" round,length:27"
59656	2.00"	2.00"	6" round,length:18"
56955	2.50"	2.50"	6" round,length:27"
59656	2.00"	2.00"	6" round,length:18"
59655	2.50"	2.50"	6" round,length:27"
59108	1.50"	1.50"	oval,3 1/2*8,length:12"
59626	1.75"	1.75"	oval,5*9 1/4,length:15"
59627	1.50"	1.50"	oval,3 1/2*8,length:12"
59616	1.75"	1.75"	oval,5*9 1/4,length:18"
59628	1.75"	1.75"	oval,3 1/2*8,length:14"
59648	2.00"	2.00"	oval,5*9 1/4,length:15"
59632	1.75"	1.75"	oval,5*9 1/4,length:15"
59612	2.00"	2.00"	oval,5*9 1/4,length:18"
59613	2.00"	2.00"	oval,5*9 1/4,length:18"
59621	2.25"	2.25"	oval,5*9 1/4,length:18"
59614	2.25"	2.25"	oval,5*9 1/4,length:18"
59617	2.50"	2.50"	oval,5*9 1/4,length:18"
59615	2.25"	2.25"	oval,5*9 1/4,length:18"
59605	2.50"	2.50"	oval,5*9 1/4,length:18"
59685	2.25"	2.25"	oval,5*9 1/4,length:18"
59619	2.50"	2.50"	oval,5*9 1/4,length:18"

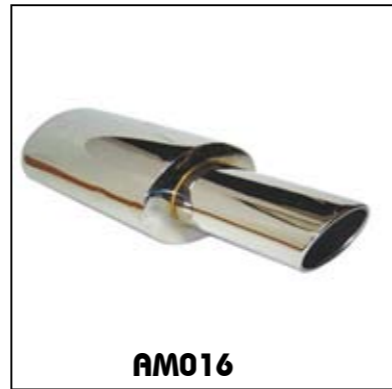




AM014



AM015



AM016



AM017



AM018



AM019



AM020



AM021



AM022



AM023

Product No.	Features
AM014	Full polished T-304 stainless steel structure JAPAN spec with twin mufflers muffer body size 11"L*4"W*4"H Dual tips size 7.5"*3.5" round Inlet size 2.5"round tig welded high quality finish light weight design,weights 8lb direct clamp on with great deep sounds
AM015	
AM016	
AM017	
AM018	
AM019	
AM020	INLET DIR:2.5 inch
AM021	INLET DIR:2.5 inch
AM021	HIGH QUALITY ALUMINIZED MUFFLER OFFSET/CENTER
AM022	Universal high quality aluminized muffer cenrer/dual inlet/
AM023	Universal high quality aluminized muffer offset/offset inlet/

